

**Selfloading pistol GRAND POWER K22
caliber .22LR**

Instruction safety manual



GRAND POWER

S.r.l.



1. TABLE OF CONTENT

1.	Table of content.....	2	9.	Maintenance instructions.....	14
2.	Records of firearm´s owner.....	3	9.1	Pistol disassembly and cleaning... ..	14
3.	Basic description.....	5	9.2	Assembling.....	16
4.	Technical specifications.....	6	9.3	Pistol cleaning.....	16
5.	Serial number of pistol.....	7	9.3.1	Barel bore and the cartridge chamber cleaning.....	16
6.	Main parts of pistol.....	8	9.3.2	Other pistol parts cleaning..	17
7.	Basic safety rules.....	9	9.4	Preserving.....	17
8.	Operating instructions.....	11	10.	Exploded drawing of K22 with components.....	18
8.1	Ammunition.....	11	10.1	Component list of K22 model.....	19
8.2	Magazine removal.....	11	11.	Warranty.....	20
8.3	Magazine loading.....	11			
8.4	Pistol loading.....	12			
8.5	Reloading during shooting.....	12			
8.6	Pistol unloading.....	12			
8.7	Safety mode.....	13			
8.8	Sight adjustment.....	13			

2.RECORDS OF FIREARM'S OWNER

Model:..... Serial number:..... Date of ppurchase:.....

IMPORTANT WARNING: ALL INFORMATION AND SPECIFICATIONS CONTAINED IN THIS MANUAL MAY CHANGE WITHOUT NOTIFICATION!

READ THE ENTIRE MANUAL CAREFULLY BEFORE USING THIS FIREARM AND MAKE SURE THAT ANY PERSON USING OR HAVING ACCESS TO THIS FIREARM READS AND UNDERSTANDS ALL OF THIS MANUAL PRIOR TO USE OR ACCESS TO THE FIREARM.

WARNING: All firearms have lethal potential. Therefore read the Basic Safety Rules carefully and understand them fully before attempting to use this firearm!

NOTICE: The Producer and / or its Local Official Distributors assume no responsibility for product malfunction, physical injury or property damage resulting in whole or in part from criminal or negligent use of the product, improper or careless handling, unauthorized modifications and the use of defective and / or improper hand-loading. Reloaded or remanufactured ammunition, customer abuse or neglect of the product are influences beyond manufacturer's direct and immediate control.

NOTICE: GRAND POWER reserves the right to make any changes it deems necessary to improve its models or to meet any requirements of manufacturing or commercial nature.

3. BASIC DESCRIPTION



The GRAND POWER K22S / K22 X-TRIM models are self loading pistols of caliber .22LR assigned for sport shooting. Pistols are based on authentic handle construction of model K100 Mk7 / Mk12 with identical steel insert and other parts of model K100 Mk7/Mk12. Slide function is blow back.

The new shaping of slide (exclusive model K22 X-TRIM) brought the weight down, the gun appears light and predeaceous. The revealed barrel together with emphasized castellation of slide offers the combination of the advantages of micrometric rear sight Elliason, fiber-optic front sight and the predeaceous design.

The rifled barrel is fixed to the steel insert. The slide itself is dynamic. The pistol has ambidextrous safety, steel semi-adjustable rear sight (X-TRIM – ful adjustable Elliason rear sight) and plastic front sight (X-TRIM – fiber optic red/green front sight). The trigger has SA/DA mode.

The plastic handle is made of Polyamide GF30. The Mk7 handle (K22 X-TRIM) includes 4 interchangeable grips of different sizes significantly enhancing user comfort. The new Mk12 handle also includes 4 interchangeable grips, but it has a new concept of field stripping by dismantling segment.

Each package includes plastic case, 2 standard steel 10 rounds magazines, cleaning brush, imbuss key (Allen key), safety instruction manual, warranty card and 4 interchangeable grips (optional).

Characteristic features of this versions are:

- Modern design
- Supple trigger mechanism
- High accuracy
- High reliability with different types of ammunition

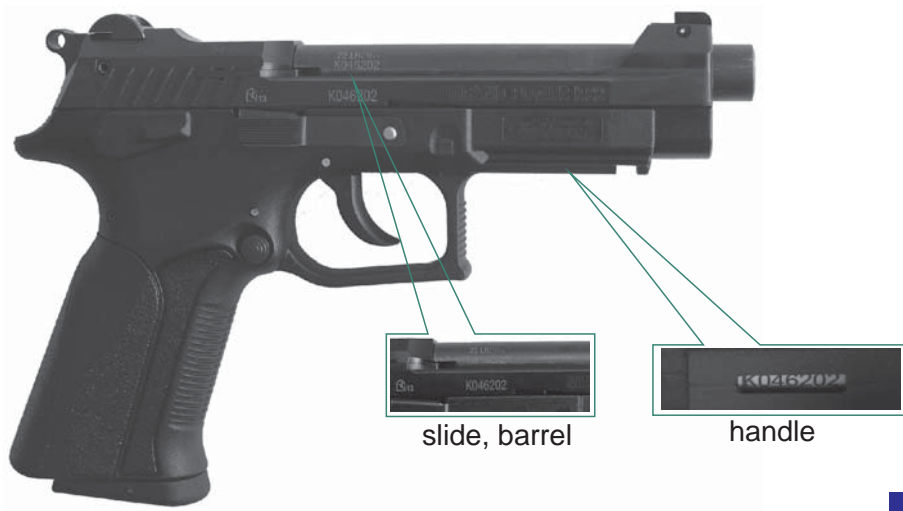
In case of any questions we recommend to contact your official importer.

4. TECHNICAL SPECIFICATIONS

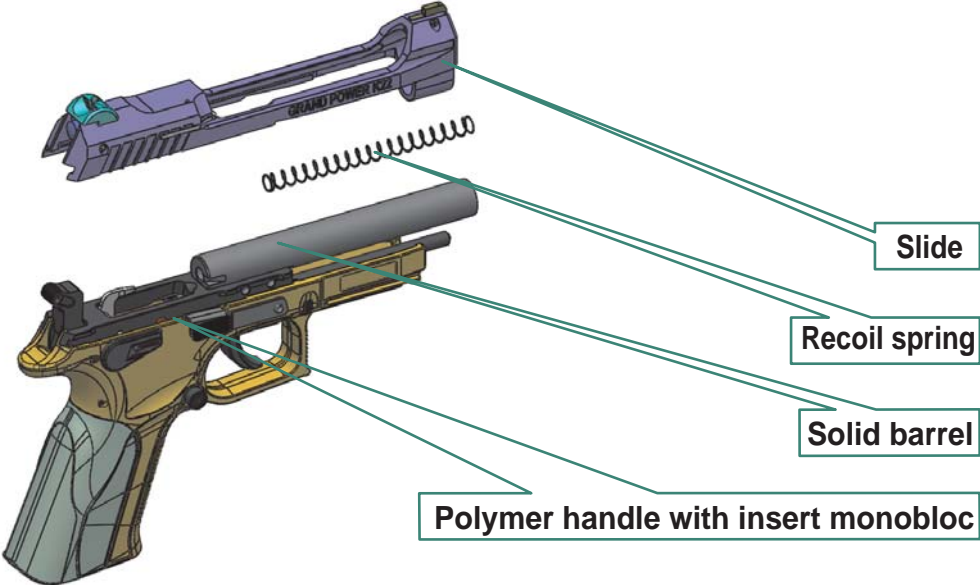
Model:	K22S / K22 X-TRIM
Caliber:	.22LR
Safety:	ambidextrous
Weight without magazine:	670g / 700g
Width through controls:	36mm
Height without magazine:	133,5mm
Overall length:	187,5mm
Barrel length:	117mm
Surface of slide::	Tenifer QPQ
Magazine capacity:	10 rounds

5. SERIAL NUMBER OF PISTOL

The serial number is located on various parts of the pistol. Each serial number is specific to that pistol and is used for identification and registration. It is recommended to record your serial number in your manual and keep the information in a secured location.



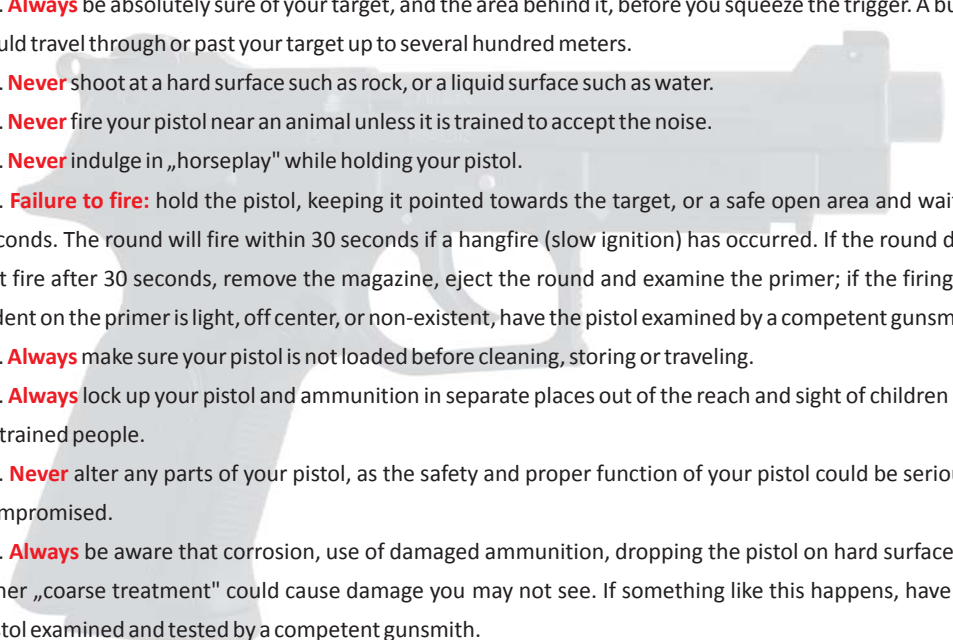
6. MAIN PARTS OF PISTOL



7. BASIC SAFETY RULES

ALWAYS FOLLOW THE SAFETY INSTRUCTIONS FOR YOUR SAFETY AND THE SAFETY OF OTHERS!

1. **Always** handle your pistol as if it were loaded.
2. **Never** point your pistol at anything you do not intend to shoot.
3. **Never** take anyone's word that a gun is unloaded.
4. **Always** make sure that your pistol is not loaded before laying it down, or handing it to another person.
5. **Always** keep and carry your pistol empty, with the hammer forward except when you intend to shoot.
6. **Never** abuse your pistol by using it for any purpose other than shooting.
7. **Never** leave the pistol cocked and ready to fire unattended.
8. Before loading your pistol, **be sure** that barrel bore, chamber, and action are clean and clear of obstructions. After shooting, clean a dirtied pistol as soon as possible.
9. **Always** use only clean, dry, original, high-quality, commercially manufactured ammunition, which is appropriate to the caliber of your pistol.
10. **Never** drink alcoholic beverages or take drugs before or during shooting.
11. **Always** wear safety glasses and ear protection when shooting.
12. **Always** keep the safety on when the pistol is loaded and cocked, until you are ready to fire.
13. **Always** keep clear and keep others clear of the ejection port.
14. **Never** squeeze the trigger or put your finger in the trigger guard until you are aiming at a target and ready to shoot.

- 
15. **Always** be absolutely sure of your target, and the area behind it, before you squeeze the trigger. A bullet could travel through or past your target up to several hundred meters.
 16. **Never** shoot at a hard surface such as rock, or a liquid surface such as water.
 17. **Never** fire your pistol near an animal unless it is trained to accept the noise.
 18. **Never** indulge in „horseplay" while holding your pistol.
 19. **Failure to fire:** hold the pistol, keeping it pointed towards the target, or a safe open area and wait 30 seconds. The round will fire within 30 seconds if a hangfire (slow ignition) has occurred. If the round does not fire after 30 seconds, remove the magazine, eject the round and examine the primer; if the firing pin indent on the primer is light, off center, or non-existent, have the pistol examined by a competent gunsmith.
 20. **Always** make sure your pistol is not loaded before cleaning, storing or traveling.
 21. **Always** lock up your pistol and ammunition in separate places out of the reach and sight of children and untrained people.
 22. **Never** alter any parts of your pistol, as the safety and proper function of your pistol could be seriously compromised.
 23. **Always** be aware that corrosion, use of damaged ammunition, dropping the pistol on hard surfaces or other „coarse treatment" could cause damage you may not see. If something like this happens, have the pistol examined and tested by a competent gunsmith.

8. OPERATING INSTRUCTIONS



8.1 Ammunition

Use only factory-manufactured standard ammunition of appropriate caliber .22LR which are in compliance with IPC regulations (International Proof Commission or SAAMI - Sporting Arms and Ammunition Manufacturers Institute Inc. of the United States).

The use of other cartridges could damage the handgun, cause malfunctions or injure the shooter.

8.2 Magazine removal

Hold the pistol in your right or left hand, press the magazine catch with the thumb and with the other hand remove the magazine. Before unloading to avoid breakage is advised to use other hand to secure magazine 2-4 cm underneath magazine plate.

8.3 Magazine loading

With the open end uppermost, grasp the magazine in one hand. Place the cartridge on the magazine follower. Press the cartridge down and back until it touches the rear flat edge of the magazine. Place the next cartridge on top of the previous cartridge and press down and back. We recommend that when some cartridges are already loaded in the magazine, press them down slightly with the thumb of the hand that holds the magazine. The number of cartridges can be checked through the inspection holes in the sides of the magazine. Do not try to exceed the magazine capacity – it can cause a feeding failure.

8.4 Pistol loading

CAUTION: ALWAYS MAKE SURE THE PISTOL IS POINTED IN A SAFE DIRECTION!

Insert a loaded magazine into the pistol and ensure that it has engaged the magazine catch. Hold the grip of the pistol with one hand, and with the thumb and index finger of the other hand, grasp the serrated finger grips on both sides of the slide. Retract the slide to a stop and allow it to snap forward. This procedure cocks the hammer and inserts a cartridge into chamber. The pistol is now ready to fire. If you do not intend to fire immediately, ensure the pistol safety is on.

8.5 Reloading during shooting

When the last cartridge is fired, the slide will stay to the rear. Remove the empty magazine and replace it with a loaded one. Thumb down the slide stop with the shooting hand, or with the other hand, draw back the slide and allow it to snap forward. The pistol is again loaded and ready to fire.

8.6 Pistol unloading

CAUTION: ALWAYS MAKE SURE THE PISTOL IS POINTED IN A SAFE DIRECTION!

- remove the magazine
- draw back the slide and look to see if the last cartridge has been extracted from the chamber and ejected
- let the slide move fully forward and press the trigger (dry fire)

8.7 Safety mode

The pistols K22S / K22 X-TRIM have SA/DA trigger mechanism. The handle is equipped with safety and positions lock-off/lock on. If the safety lever is in upwards position the gun is locked. Please remember the most secure is reloading the gun and placing safely.

8.8 Sight adjustment

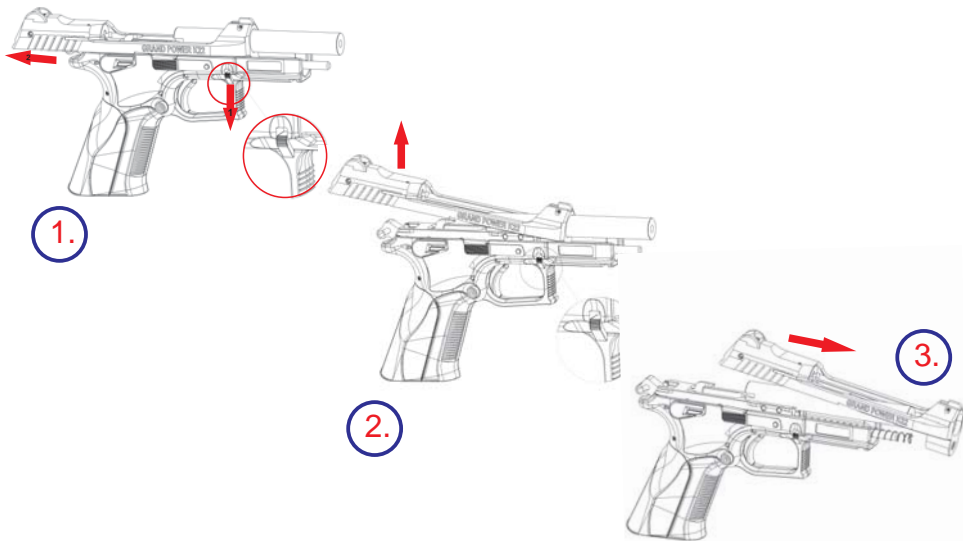
The pistols K22S / K22 X-TRIM before being sold "shot-in" at the manufacturing plant at a distance of 15 m so that the mean point of impact conforms to the point of aim. Windage correction can be carried out by drifting the rear sight in the dovetail and then secured a set screw. Elevation correction is carried out by exchanging the front sights for higher or lower ones.

9. MAINTENANCE INSTRUCTIONS

9.1 Pistol disassembly and cleaning

CAUTION: ALWAYS MAKE SURE THE PISTOL IS POINTED IN A SAFE DIRECTION!

- Remove the magazine. The pistol must not be disassembled with the magazine inserted.
- **MAKE SURE THERE IS NO CARTRIDGE IN THE CHAMBER!**
- With one hand grasp the pistol grip. Put the index finger of your other hand through the trigger guard, support your thumb against front lower part of the slide.
- Pull the trigger guard down and straight out to tilt the trigger guard downward (Handle Mk7) or pull the dismantling segment down (Handle Mk12) (1).
- Pull the slide fully back, lift the rear end then move the slide forward to separate it from the barrel and frame (2).
- Remove the recoil spring and recoil spring guide and take out the barrel (3).



No further disassembly is needed for routine maintenance. When a great number of cartridges has been fired, it is advisable to have the firing pin and magazine cleaned by a competent gunsmith.

9.2 Assembling

Assembly procedure is done in reverse sequence to disassembly.

BEWARE: during assembly the barrel **MUST** be shifted forward, out of the receiver with front barrel ring placed in receiver's cut out.

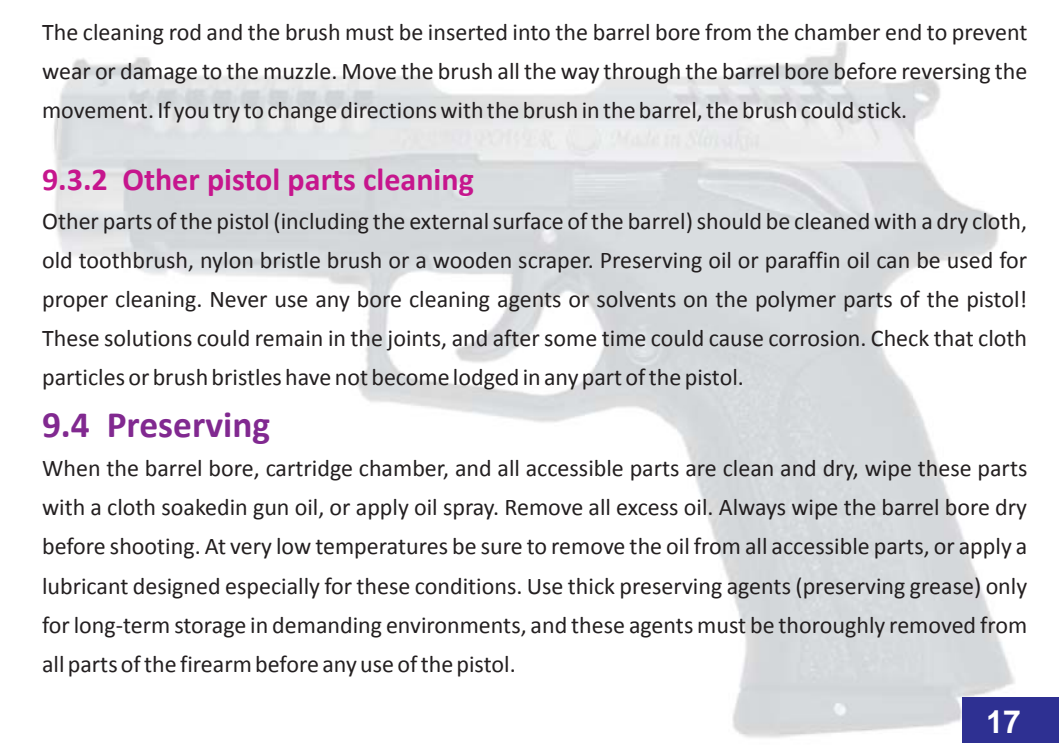
9.3 Pistol cleaning

Clean the pistol:

- each time you use it – as soon as possible after shooting
- if you get your pistol wet
- at least once a year in a temperate climate
- as often as once a month in a tropical climate, or other demanding environment

9.3.1 Barel bore and the cartridge chamber cleaning

If the pistol has not been fired or if only a few cartridges have been fired, clean the barrel bore and cartridge chamber with the clean patch attached to the cleaning rod. When the barrel bore is very dirty, apply a gun cleaning solution using a cleaning brush. Let the solvent act for about 10 minutes (time may vary depending on the solvent agent being used). Then thoroughly scrub the barrel bore with the included brush. Next, dry the barrel bore and cartridge chamber with a clean patch and check that all powder residues have been removed. Repeat this procedure if necessary.



The cleaning rod and the brush must be inserted into the barrel bore from the chamber end to prevent wear or damage to the muzzle. Move the brush all the way through the barrel bore before reversing the movement. If you try to change directions with the brush in the barrel, the brush could stick.

9.3.2 Other pistol parts cleaning

Other parts of the pistol (including the external surface of the barrel) should be cleaned with a dry cloth, old toothbrush, nylon bristle brush or a wooden scraper. Preserving oil or paraffin oil can be used for proper cleaning. Never use any bore cleaning agents or solvents on the polymer parts of the pistol! These solutions could remain in the joints, and after some time could cause corrosion. Check that cloth particles or brush bristles have not become lodged in any part of the pistol.

9.4 Preserving

When the barrel bore, cartridge chamber, and all accessible parts are clean and dry, wipe these parts with a cloth soaked in gun oil, or apply oil spray. Remove all excess oil. Always wipe the barrel bore dry before shooting. At very low temperatures be sure to remove the oil from all accessible parts, or apply a lubricant designed especially for these conditions. Use thick preserving agents (preserving grease) only for long-term storage in demanding environments, and these agents must be thoroughly removed from all parts of the firearm before any use of the pistol.

10. EXPLODED DRAWING OF K22 MK12 WITH COMPONENTS



10.1 Component list of K22 Mk12 model

No.	Name of detailed element	No.	Name of detailed element	No.	Name of detailed element
1	Polymer frame housing	20	Magazine catch	38	Slide plate fixate pin
2	Insert	21	Trigger bar	39	Trigger pin
3	Slide	22	Safety lever L/R	41	Front sight pin
4	Barrel	23	Safety pin	42	Autosafety lever pin
5.1	Dismantling segment	24	Arrest clench	43	Hammer catch pin
5.2	Pin of dismantling segment	25	Trigger bar pin	44	Hammer pin
6	Trigger	26	Hammer catch spring	45	Hammer spring support pin
7	Hammer	27	Trigger bar pin	46	Slide catch pin
8	Slide stop	28	Slide stop spring	46a	Spring of firing pin
9	Sear	30	Trigger spring	47	Pin of firing pin
10	Ejector	31	Magazine catch spring	49	Extractor spring
12	Recoil spring guide	32	Dismantling segment spring	51	Distance column
14	Firing pin	33	Hammer spring	52	Firing spring back-up
15	Rear sight	34	Firing pin spring	53	Rear sight screw
16	Front sight	35	Slide plate	54	Barrel pin
17	Extractor	36	Recoil spring		
18	Magazine release	37	Magazine catch pin		

11. WARRANTY

The manufacturer provides to the original retail customer a limited warranty for a period of two (2) years from the date of purchase which covers defects of material and manufacturing defects. It will be the discretion of the producer and importer as to whether the parts/labor or replacement will result in a charge to the customer. The importer or producer has the right to research, inspect and test the weapon to assess any claim made under the warranty.

WARRANTY EXCLUSIONS

The warranty is **VOID** if the firearm has been altered, abused, misused, damaged by accident, fired with hand loaded or reloaded ammunition, obstructions in the barrel or damage due to failure regular and necessary maintenance. Also this warranty is **VOID** if any unauthorized repair or alteration is performed on the firearm.



GRAND POWER s.r.o.
www.grandpower.eu

