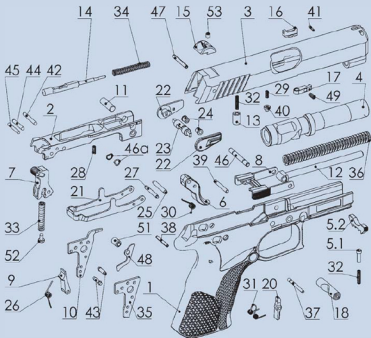


Explosive view



P40, P45

- | | |
|----------------------------|--------------------------------|
| 1-Polymer frame housing | 27-Trigger bar pin |
| 2-Insert | 28-Slide stop spring |
| 3-Slide | 29-Extractor fixate pin spring |
| 4-Barrel | 30-Trigger spring |
| 5- | 31-Magazine catch spring |
| 5.1-Take down plate | 32-Autosafety spring |
| 5.2-Pin of take down plate | 33-Hammer spring |
| 6-Trigger | 34-Firing pin spring |
| 7-Hammer | 35-Slide plate |
| 8-Slide stop | 36-Recoil spring |
| 9-Sear | 37-Magazine catch pin |
| 10-Ejector | 38-Slide plate fixate pin |
| 11-Rolling cross pin | 39-Trigger pin |
| 12-Recoil spring guide | 40-Extractor fixate pin |
| 13-Autosafety | 41-Front sight pin |
| 14-Firing pin | 42-Autosafety lever pin |
| 15-Rear sight | 43-Hammer catch pin |
| 16-Front sight | 44-Hammer pin |
| 17-Extractor | 45-Hammer spring support pin |
| 18-Magazine release | 46-Slide catch pin |
| 19- | 46a-Spring of firing pin |
| 20-Magazine catch | 47-Pin of firing pin |
| 21-Trigger bar | 48-Autosafety lever |
| 22-Safety lever left/right | 49-Extractor spring |
| 23-Safety pin | 51-Distance column |
| 24-Arrest clench | 52-Firing spring back-up |
| 25-Trigger bar pin | 53-Rear sight screw |
| 26-Hammer catch spring | |